

nutrichef



NCBL1000

Professional Home Kitchen Blender
Digital Countertop Power Pro Blender with Pulse Blend

USER MANUAL

For household use only!

To ensure proper operation, please read this Instruction Manual carefully before using this product. Keep this manual in a safe place for future reference.

Table of Contents

Chapter 1 Safety Use Announcement	3
Chapter 2 Components & Operating Guide & Usage	4
Chapter 3 Cleaning and Maintenance	6
Chapter 4 Fault Analysis and Removal	7
Chapter 5 Warranty and After-sale Services	7
Chapter 6 Technical Specifications	8

Chapter 1 Safety Use Announcements

When using electric appliances, basic safety precautions should always be followed including the following:

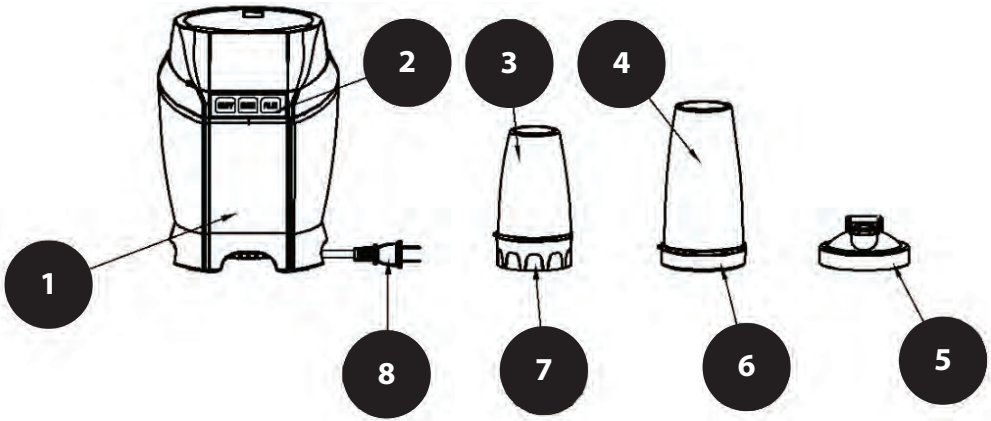
Please read this manual carefully before using.

1. Please read this manual carefully before using.
2. Do not put the body into water or other liquid, nor can rinse it under water or other liquids to protect against the risk of electrical shock. Use only dry cloth to clean.
3. Do not let the children use and touch the product without supervision.
4. Before using, please check the power cord, plug, blade, and other parts carefully. If found damaged, please stop using the product, and contact our customer service department, to avoid danger, do not disassemble repair.
5. If the supply cord is damaged, it must be replaced by the manufacturer, its service agent or similarly qualified persons in order to avoid a hazard.
6. Always unplug from outlet when not in use, before removing food, before assembling and before cleaning.
7. Do not touch the moving parts.
8. Do not use accessories from other manufacturers. It may cause fire, electrical shock, or damage.
9. Please turn off the appliance and disconnect from power supply before fixing accessories or approaching parts that move in use.
10. The product is intended for home use only. **Do not use outdoors.**
11. Do not expose to rain, snow or other bad environments
12. Do not use the product exceed its permitted usage range.
13. Product should be stored out of reach of children.
14. Do not let reduced physical, sensory or mental capabilities, or lack of experience and knowledge of people (including children) to use or play with the product.

Chapter 2 Components & Operating Guide & Usage

I. Product Configuration

A. Main components



1. Main body

2. **LED buttons:** ON/OFF, BLEND, PULSE

3. Tall cup

4. Oversize cup

5. Drinking lid

6. Solid lid

7. Blade adapter

8. Cord & Plug

Caution

Never run the product without food or before adding the food into the food cup. Never run the product with overfilled food (exceeding the design capacity 80%) or the max line.

Important

To ensure the product is working properly, make sure the cup and the main body are fully tightened.

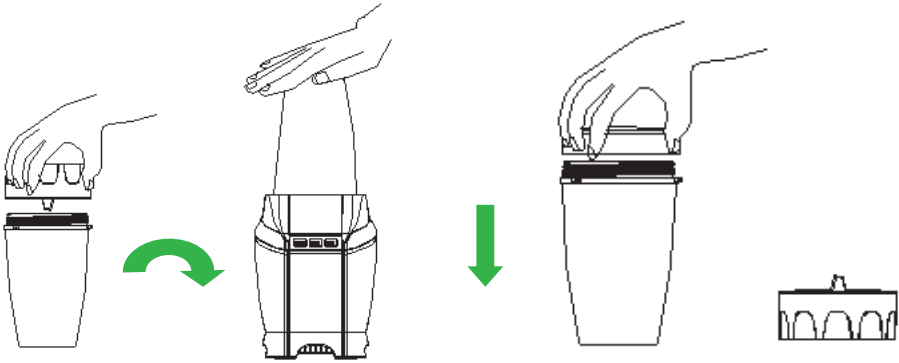
B. Assemble Guide

1. Assemble the cup and blade set

Put food into the cup, then assemble the cup with blade set tightly before plug the mains socket.

2. Assemble the main body

Hold the cup with blade set, then press it to the blender body, then turn it clockwise to fixed position opening.



3. After use

Hold the cup and turn anti-clockwise slightly, then remove the cup. Use water to clean it and dry cloth to wipe it

C. Instructions during the usage

Important:

- To prevent short circuit, please do not use wet hands to operate the machine
- Never run the product without food loaded.
- Do not run the motor more than 10 minutes continuously in one time.

1. Plug the power

2. **Standby status:** The indicator light of **ON/OFF** is lasting bright.

3. Working program of three buttons

A. High speed program mode:

Soft start the machine by pressing the “**ON/OFF**” button. The LED indicating lamp in this button is lasting bright in green color (not twinkling), other green indicating lamps are not bright. The product will stop working after 1min processing at maximum speed program mode. The LED indicator light will change to red color lasting bright (twinkling). At the same time, the machine is kept in standby status.

Attention: When the machine is in standby status, the two tone LED indicator light in “**ON/OFF**” button is lasting red bright with twinkling.

B. High/low speed program alternate running program mode:

Soft start the machine by pressing the “**BLEND**” button. The LED indicating lamp in this button is lasting bright in green color (not twinkling, other green indicating lamps are not bright. Other green indicating lamps are not bright. The product will stop working after 1min cycle processing at maximum high/low-speeds program mode (50% of max speed). And the LED indicator light will be turned off. At the same time, the machine is kept in standby status.

Attention: When the machine is in standby status, the two tone LED indicator light in “**ON/OFF**” button is lasting red bright with twinkling.

C. Pulse program mode:

Press at the “**PULSE**” button, the machine work soft starts. The LED indicating lamp in this button is lasting bright in green color (not twinkling) other green indicating lamps are not bright. The product will stop working after 1min processing at maximum speed program mode. And the LED indicator light will be turned off. At the same time, the machine is kept in standby status.

Attention: When the machine is in standby status, the two tone LED indicator light in “**ON/OFF**” button is lasting red bright with twinkling.

Notice: Stop the machine while working by pressing “**ON/OFF**” button.

4. Disassemble and Clean

1. Please turn off the power, and then take off the plug before disassembly.
2. Food cup and blade set can be put into the washing machine.
3. If the machine will not be used for a long time, please keep the machine in a dry and cool place.
4. You can clean the accessories using water except the motor base.
5. Unplug the power cord before wiping the motor base, always use wet cloth to clean, never flush or dip in water.

Chapter 3 Cleaning and Maintenance

1. Clean the product timely and thoroughly after use in order to avoid dyeing.
2. Product should be keep in a dry place and avoid the sunshine.
3. Make sure the machine is clean and dry before using and storing.

Chapter 4 Fault Analysis and Removal

Problem	Analysis	Solution
Motor doesn't work	The plug is not securely inserted into the electrical outlet.	Check that the power plug if properly inserted into the power outlet.
	the Cup is not installed correctly or in place	Install the Cup properly
	Motor protector working	Restart after 20-30 mins
Stopped working at midway	Amount of food in the cup exceed maximum capacity which causes overloading or blocking up	Decrease the food in the cup and restart
	Long time working, and protected intelligently	Restart after 20-30 mins
Leakage under blade seat	Blade seal broken for blender cup, too much water in the bowl	Turn off the machine and take out the food, check the screw, seal and install again.

Chapter 5 Warranty and After-sale Services

This product has no user-serviceable parts. Do not attempt to examine or repair this product yourself. Only qualified service personnel should perform any servicing. In case of damage, contact our after sales support line for advice on inspection, repair or return of the damaged product.

NCBL1000

Professional Home Kitchen Blender

Digital Countertop Power Pro Blender with Pulse Blend

Features:

- Home Kitchen Power Pro Blender System
- Powerful High-Speed Blending Motor
- Sleek, Modern Food Blender Style
- Unique Button-Activated 'Pulse' Blend Ability
- Convenient Lid Covers for Protein Packed Gym Smoothies-to-Go
- Simple Electric Plug-in Design
- Hassle-Free Button Controls
- Stainless Steel Cutting Blade
- Powerful 360° Cylindrical Impact for Instant Nutrition Extraction
- Reinforced Serrated Blades Blend Ice Easily
- Stain Resistant & Easy-to-Clean
- Large Capacity Easy-Pour Containers
- BPA Free, Food Grade Construction
- Safe for Placement on Any Kitchen Table or Counter
- Perfect for Mixed Drinks, Fresh Juices, Smoothies, Milkshakes & More

What's in the Box:

- Electric Blender Base
- (1) Large Blend Cup, 24 oz.
- (1) Medium Blend Cup, 20 oz.
- Portable Shaker-Style Lid
- Standard Blend Cup Lid
- Food Recipe Book

Questions? Issues?

We are here to help!

Phone: (1) 718-535-1800

Email: support@pyleusa.com

Technical Specs:

- High-Powered Blender Motor: 1000 Watt
- Blend Speed Settings: Up to 23,000+ RPM
- Blend Cup Capacity: 20 oz. / 24 oz.
- Noise Operating Level: <90dB
- Construction Material: Clear Tritan Blend Container, Engineered ABS Housing
- Power Cable Length: 3' ft.
- Power Supply: 120V
- Total Blender Size (L x W x H): 5.9" x 6.0" x 15.0" -inches



WARNING:

This product can expose you to a chemical or group of chemicals, which may include "Lead (Pb)" which is known in the state of California to cause cancer, birth defects, or other reproductive harm. For more info, go to <https://www.p65warnings.ca.gov/>.



nutrichef